

CROSTOWN METAL INDUSTRIES LTD.

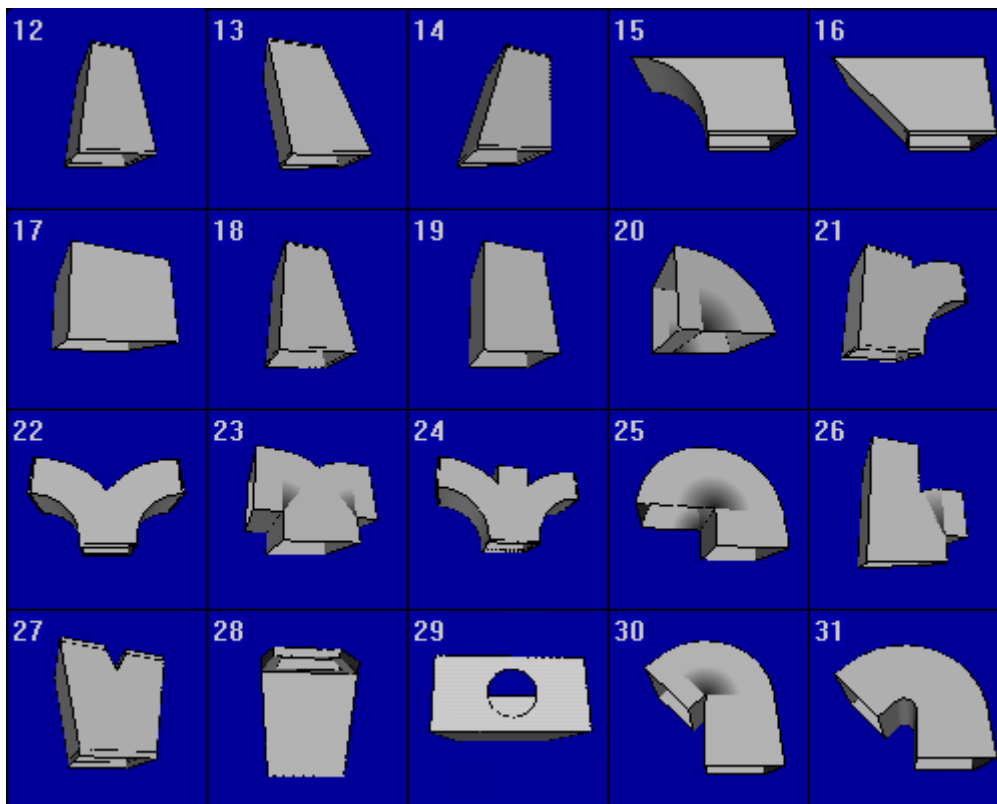
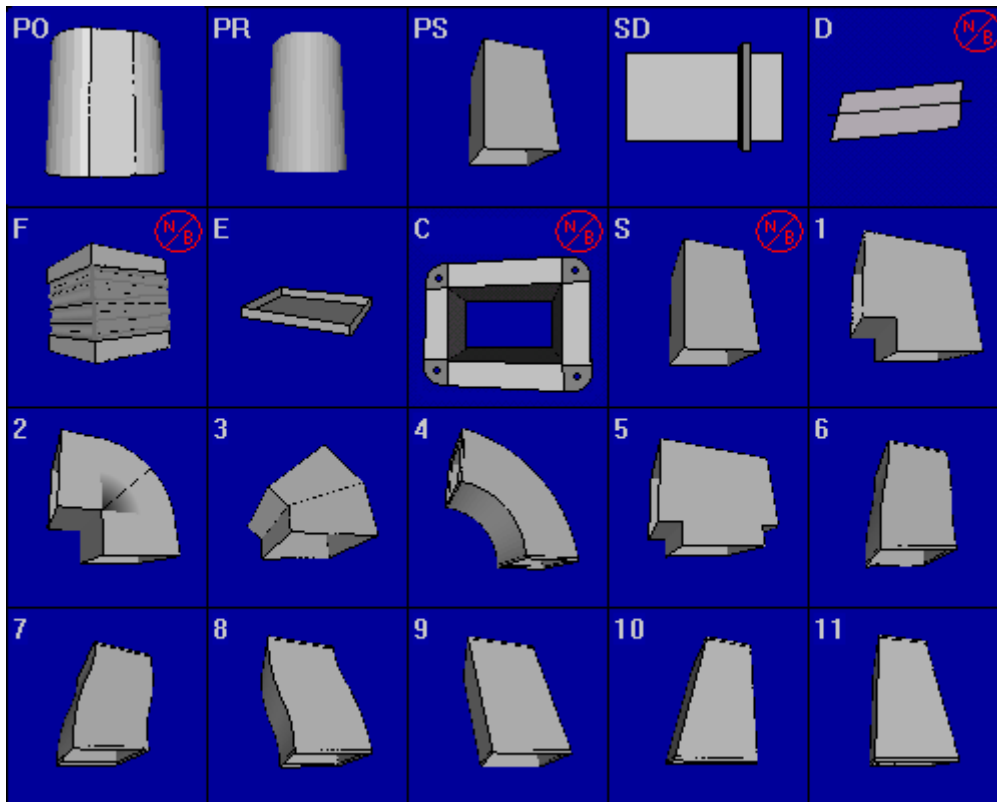
Duct & Fittings Catalog

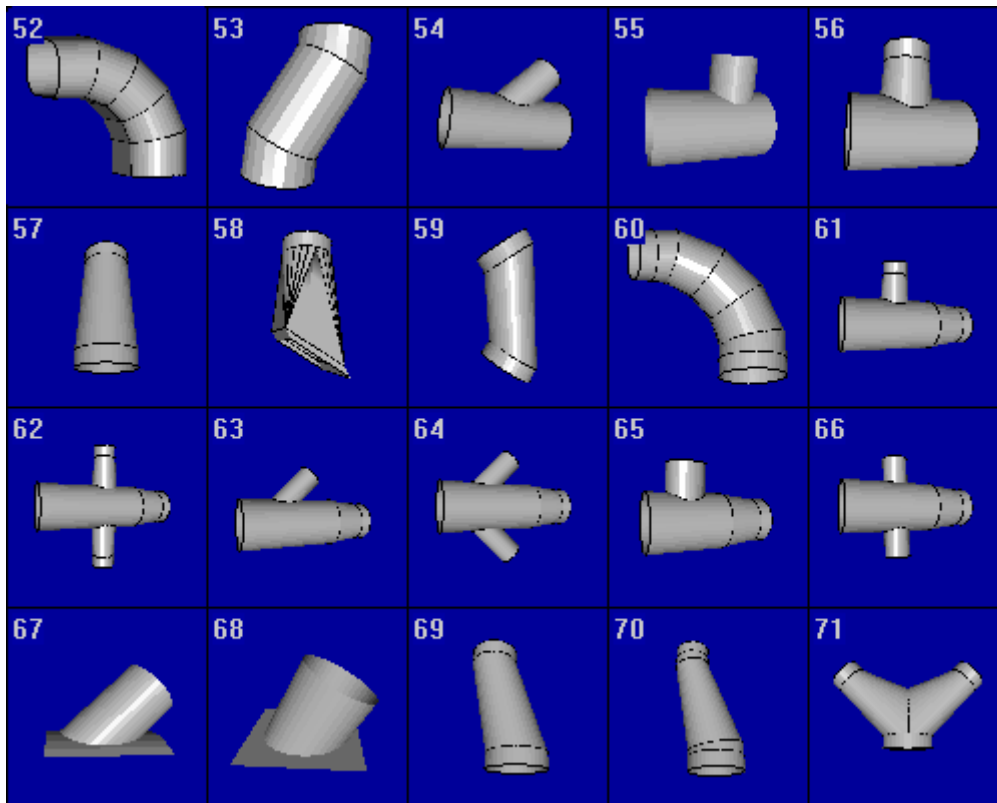
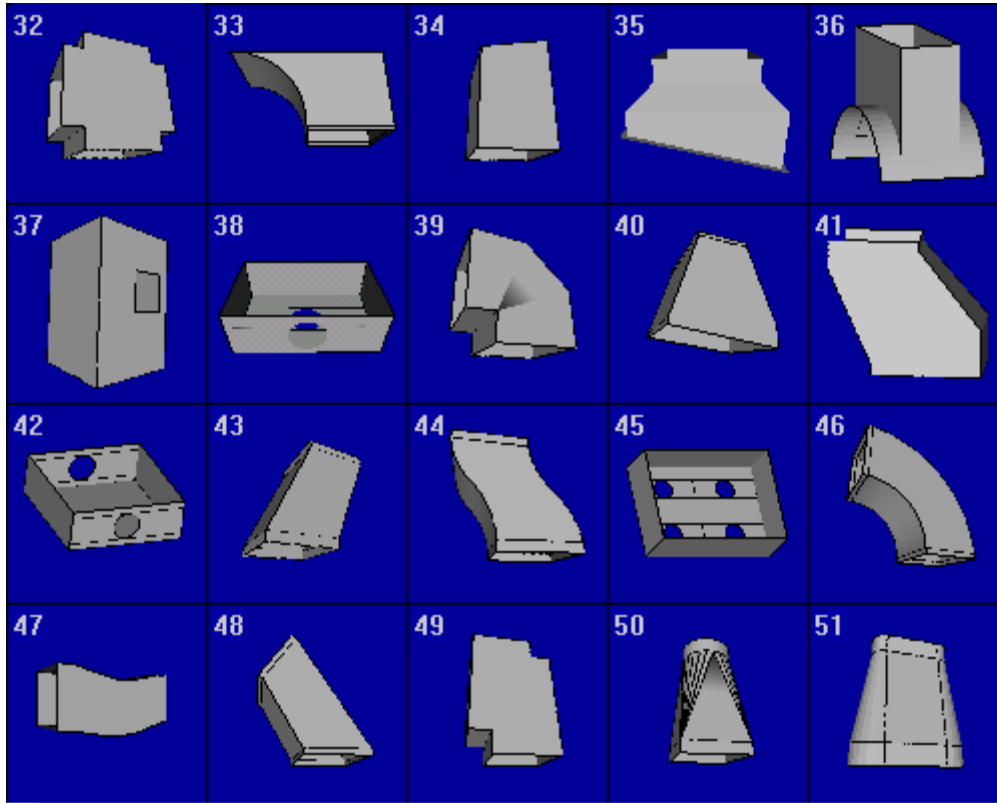
**Crosstown Metal Industries Ltd.
#100, 13133 – 115 Avenue
Surrey, BC V3R 2V8**

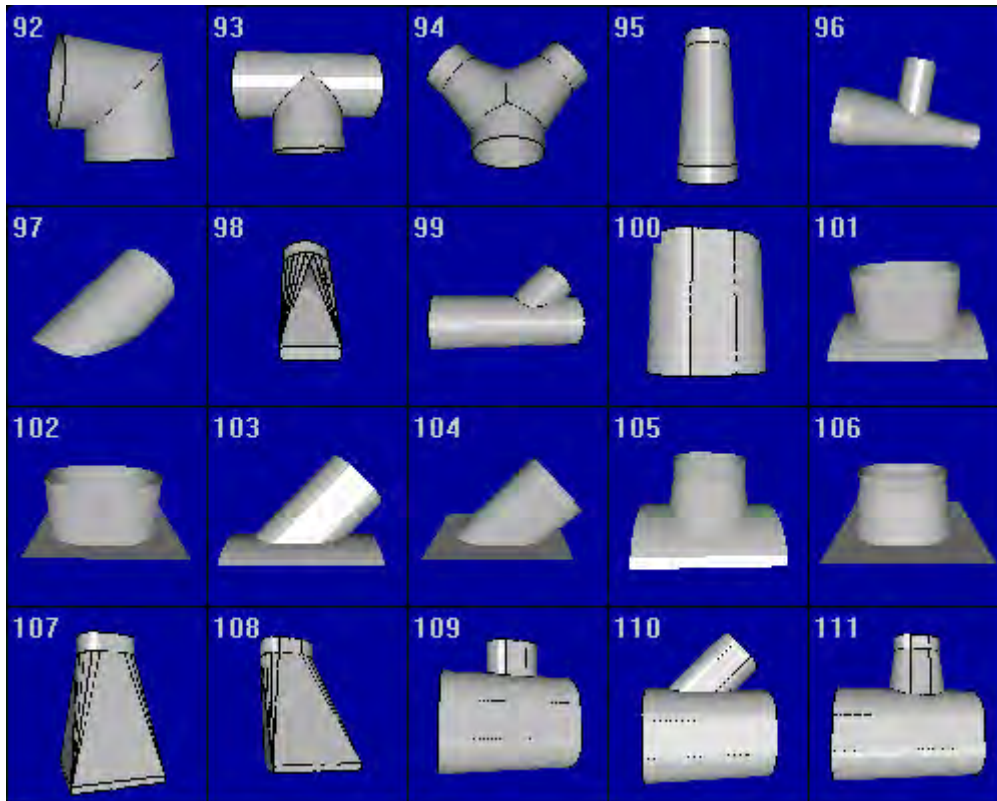
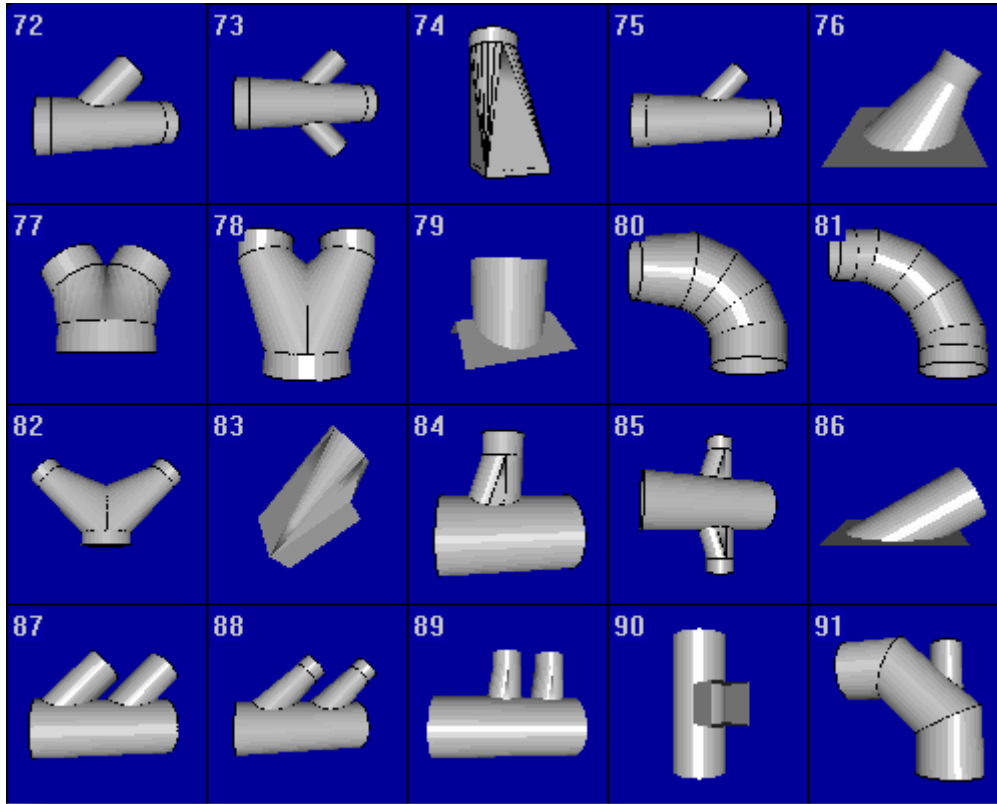
**Tel: (604) 589-3133
Fax: (604) 589-3134**

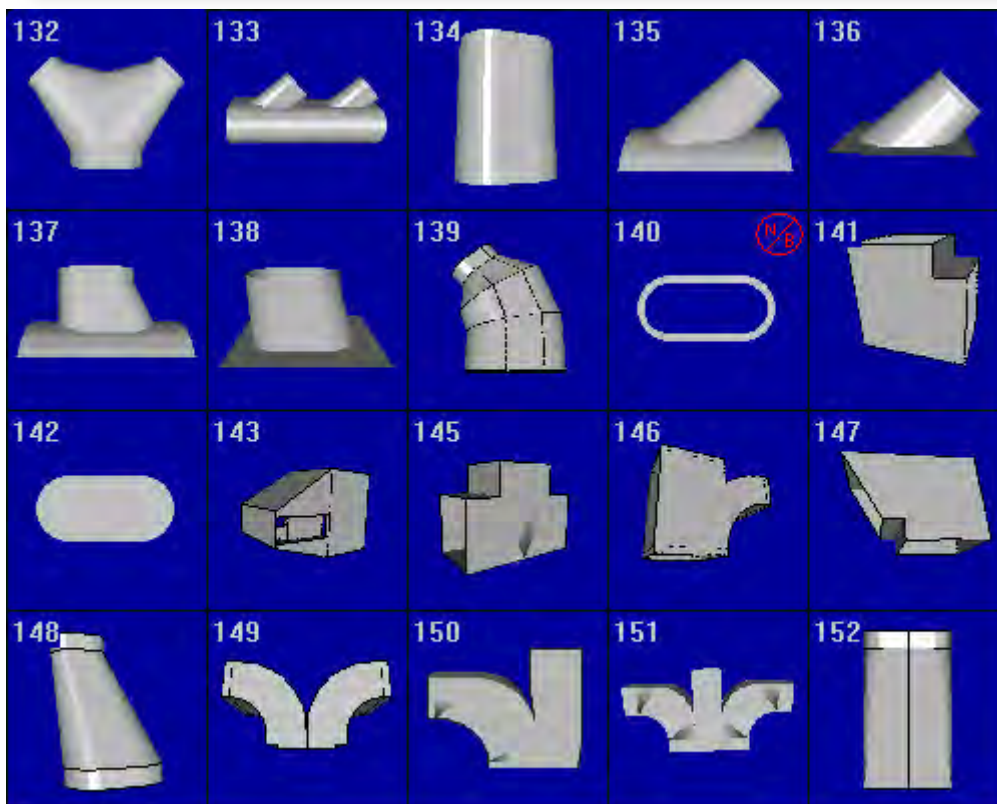
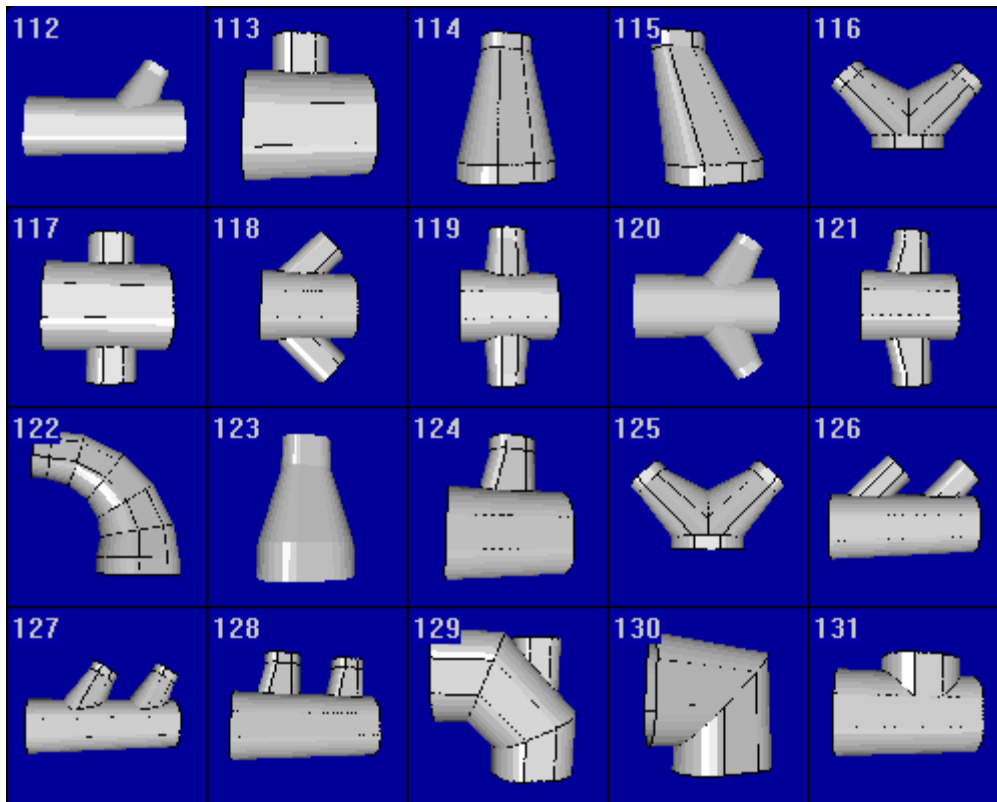
**info@crosstownmetal.com
www.crosstownmetal.com**

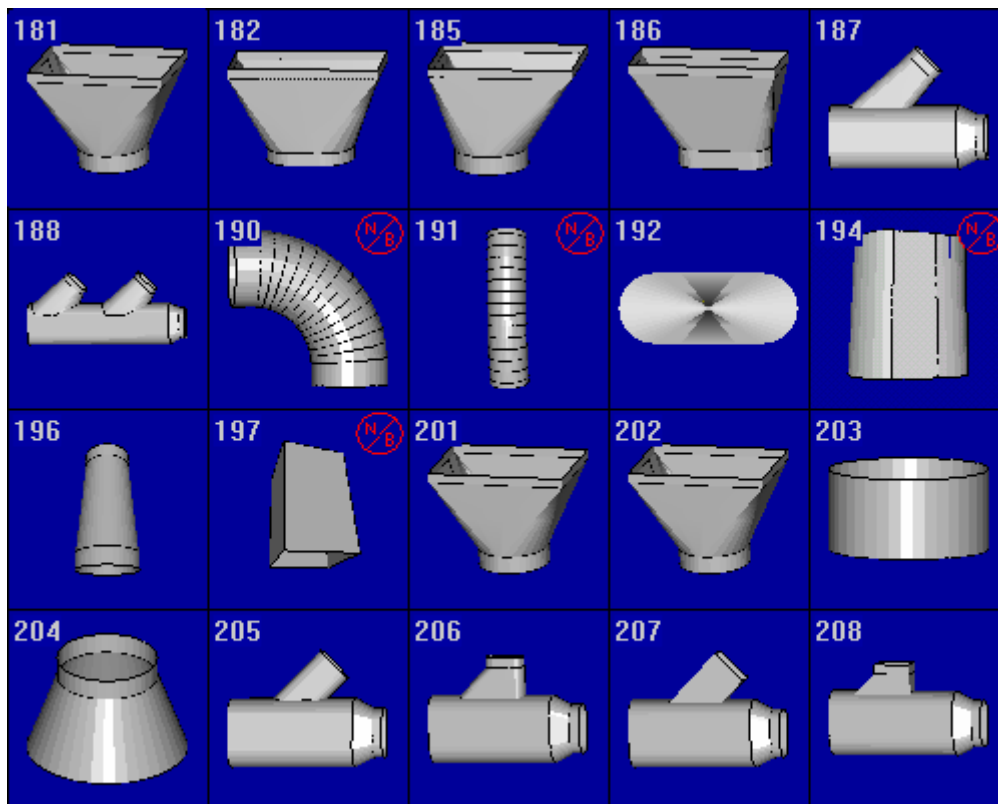
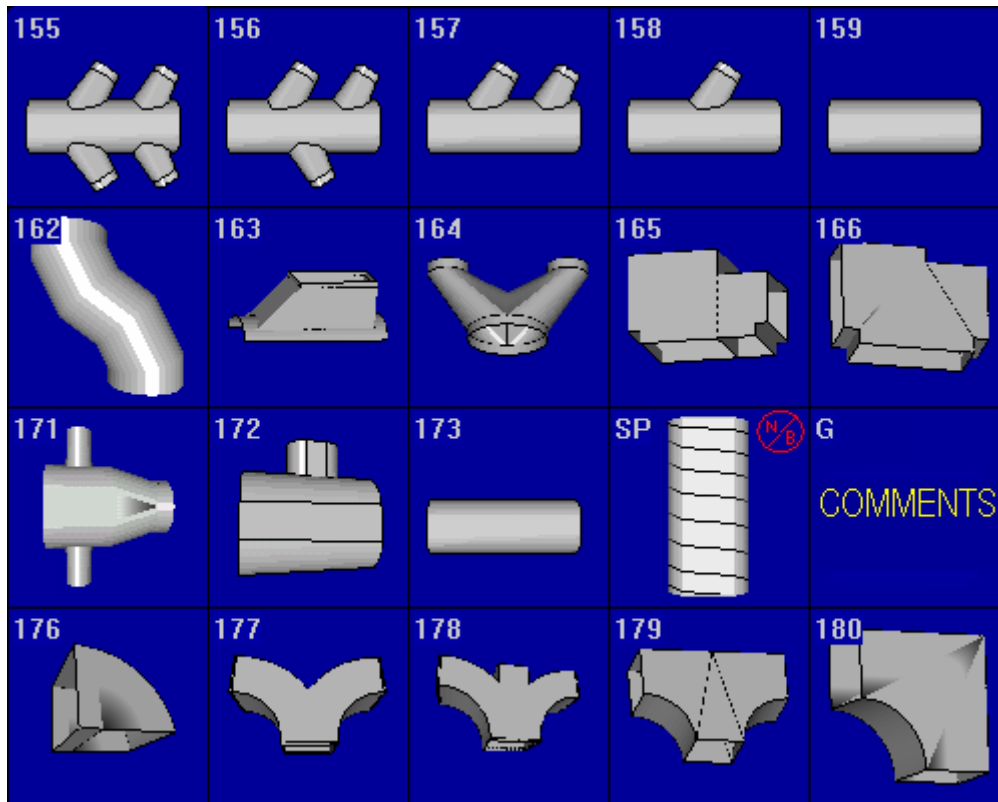


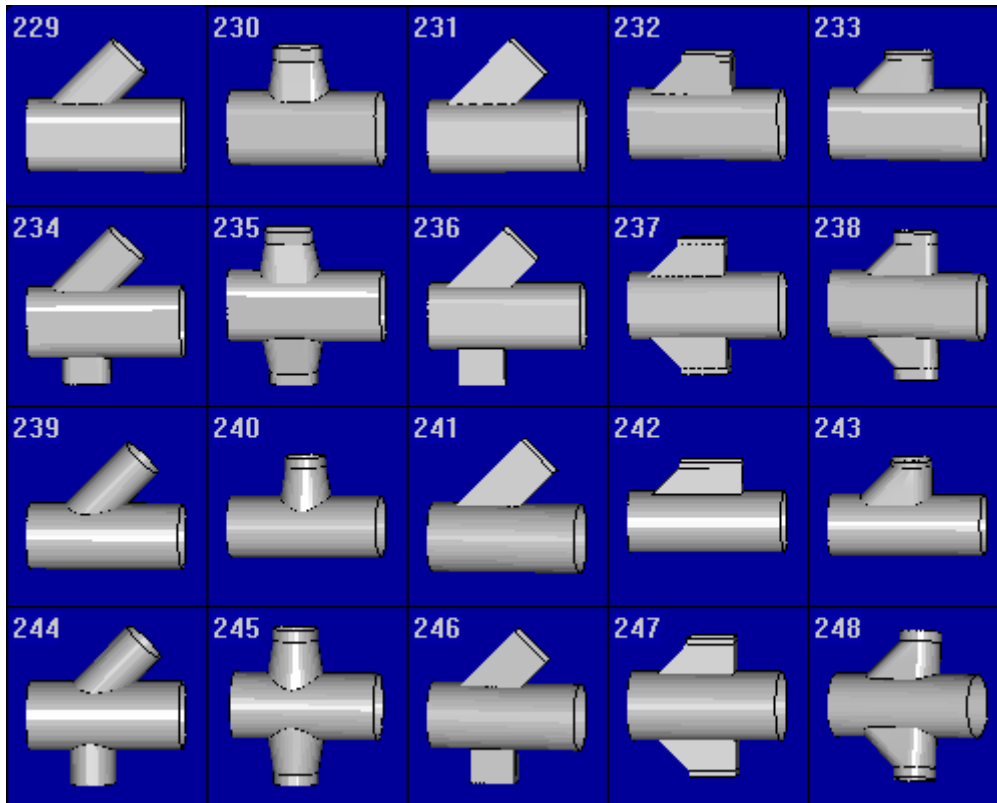
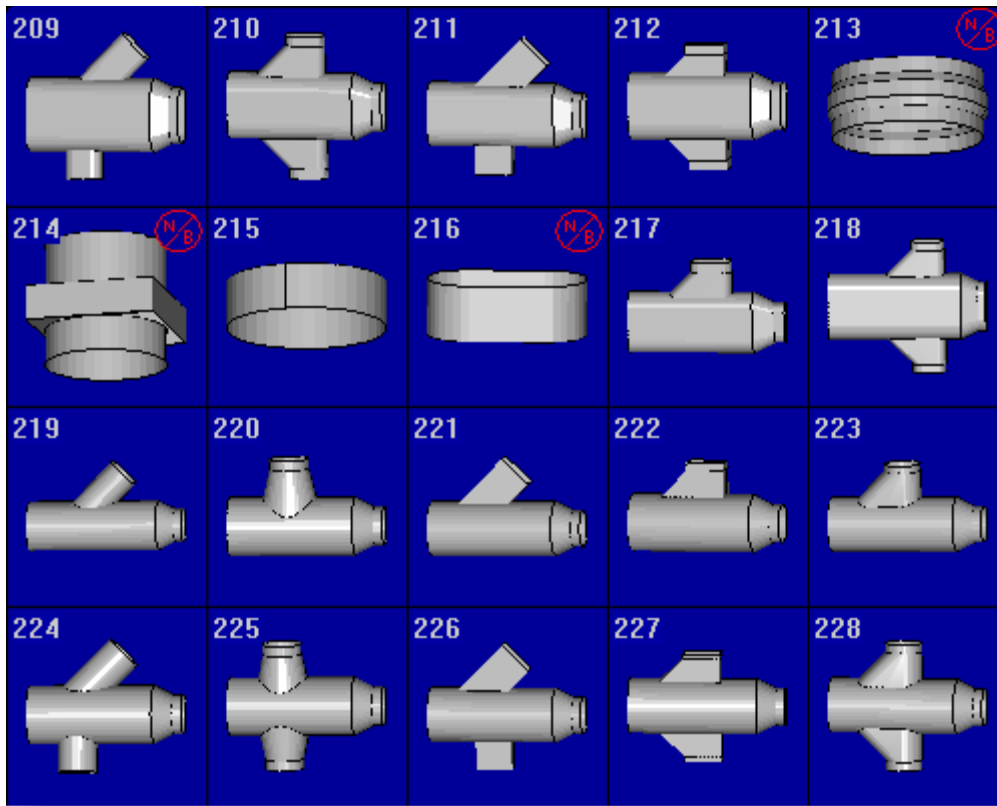


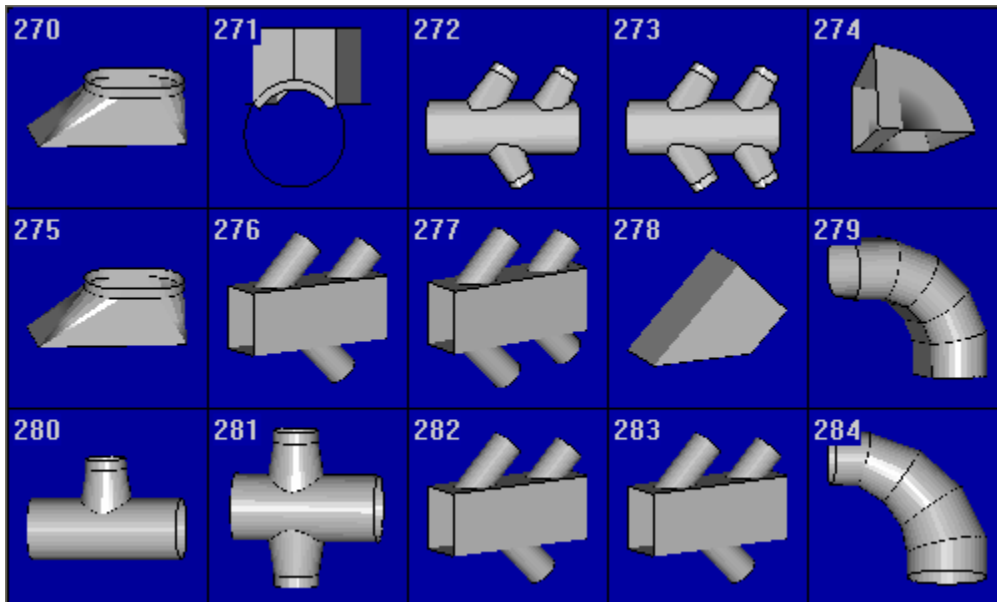
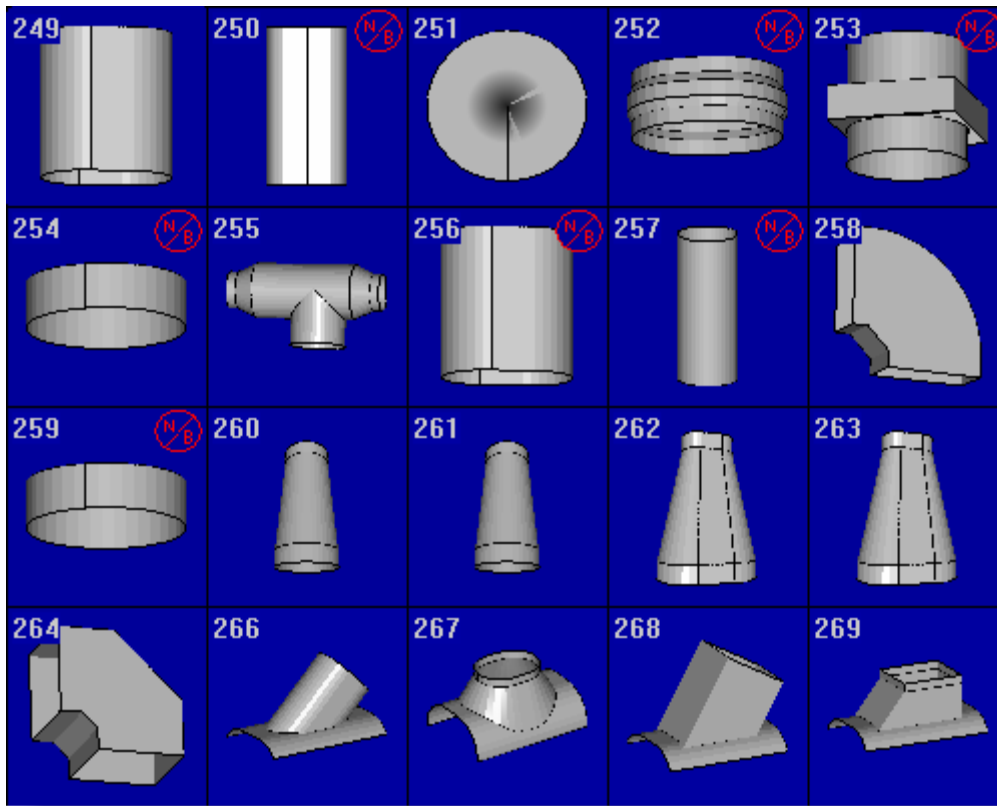












Fitting Numbers and Descriptions

Fit #	Fitting Description	Fit #	Fitting Description
-158	Rectangle Straight Duct	44	O.G. Offset
-157	Flat Oval Straight Duct	46	Drop Cheek Elbow W / Vane
-156	Round Straight Duct	47	Double Offset
-155	Plasma Flat Oval Duct	48	Mitered Transition
-154	Plasma Round Duct	49	Double Ell
-153	Plasma Rectangle Duct	50	Square To Round
D	Volume Damper	51	Flat Oval C/L Transition
F	Flex Connection	52	Gored Elbow
E	End Cap	53	Offset
C	Connector Frame	54	45 Degree Lateral
S	Straight Duct	55	Tee
1	Square 90 Degree Elbow	56	Conical Tee
2	Square Throat Radius Heel Ell	57	Reducer
3	Angle Elbow	58	Mitered Square To Round
4	Radius Elbow	59	Mitered Round Transition
5	Square Tee	60	Reducing Gored Elbow
6	Left To Right O.G. Offset	61	Conical Tee W / Reducer
7	Trans. L To R O.G. Offset	62	Conical Tee Cross W / Reducer
8	Trans. R To L O.G. Offset	63	Lateral W / Reducer
9	R To L Dog Leg Offset	64	Lateral Cross W / Reducer
10	Straight Right Transition	65	Tee W / Reducer
11	Straight Left Transition	66	Tee Cross W / Reducer
12	Centerline Transition	67	Radius Saddle Takeoff
13	Trans. R To L Dog Leg Offset	68	Flat Saddle Takeoff
14	Trans. L To R Dog Leg Offset	69	Transition
15	Radius Tap	70	Reducing Offset
16	45 Degree Angle Tap	71	Variation Wye Branch
17	Straight Tap	72	Tapered Wye
18	Transition Offset	73	Tapered Wye Cross
19	Short Straight Duct	74	Offsetting Square To Round
20	Parker Elbow	75	Offset Lateral On Taper
21	Radius Side Takeoff	76	Roof Jack
22	Radius Tee	77	One Piece Wye
23	Square Throat Radius Tee	78	Gored Wye
24	Three Way Radius Tee	79	Pipe On Roof Ridge
25	180 Degree Gooseneck	80	Elbow W / Reducer
26	Square Throat Side Takeoff	81	Constant Radius Elbow
27	Wye Branch	82	Mitered Wye
28	Base	83	Round to Square Elbow
29	Pan W / Side Hole	84	Boot Tee
30	135 Deg. Sq. Throat Gooseneck	85	Boot Cross
31	Increase Area Radius Gooseneck	86	Flat Tapered Saddle Takeoff
32	Three Way Square Tee	87	Double Lateral Tee
33	Radius Angle Tap	88	Double Conical Lateral
34	Mitered Duct	89	Double Boot Tee
35	Roof Curb	90	Round Pipe W/Sq Access Hole
36	Rect. Saddle Off Round Pipe	91	Round Elbow W / Tap
37	Short Str. Duct W/Access Door	92	Round Sq Throat Elbow W / Vanes
38	Pan W / Side & Bottom Holes	93	Bullhead Tee W / Vanes
39	90 Degree Cropped Heel Elbow	94	Three Piece Wye
40	Transitional Fan Base	95	Spiral Transition
41	Square Offset	96	Spiral Conical W / 90 Deg Takeoff
43	Transition	97	Pipe Template

Fit #	Fitting Description	Fit #	Fitting Description
98	Square to Round w/ Rounded Corners	151	Nested Cross
99	F/O Offset Conical Lateral	152	Square to Flat Oval Offset
100	Flat Oval Straight Duct	162	Multi-Curved Offset
101	F/O Radius Saddle Tee	163	Rectangle Saddle Takeoff
102	F/O Flat Saddle Tee	164	Two Piece Wye
103	F/O Radius Saddle Lateral	165	Nested Tee
104	F/O Flat Saddle Lateral	166	Step Down Square Tee
105	F/O Radius Saddle Conical Tee	171	Two Arm Fitting
106	F/O Flat Saddle Conical Tee	172	One Arm Fitting
107	C/L Rectangle To Flat Oval	173	Zero Arm Fitting
108	Offset Rectangle To Flat Oval	174	Spiral Pipe
109	F/O Tee	175	General Purpose Fitting
110	F/O Lateral	176	Parker Elbow #2
111	F/O Conical Tee	177	Radius Tee #2
112	F/O Conical Lateral	178	Three Way Radius Tee #2
113	F/O Offset Tee	179	Radius Throat Tee
114	F/O Centerline Transition	180	Radius Throat Square Heel Ell
115	F/O Offset Transition	181	Round To Rectangle
116	F/O Variation Wye	182	Flat Oval To Rectangle
117	F/O Cross	185	Offset Round To Rectangle
118	F/O Lateral Cross	186	Offset Flat Oval To Rectangle
119	F/O Conical Cross	187	F/O Offset Single Con. Lat. w/Red.
120	F/O Conical Lateral Cross	188	F/O Offset Double Con. Lat. w/Red.
121	F/O Boot Cross	189	Twisted Fitting
122	F/O Reducing Gored Elbow	190	Flex Elbow
123	F/O Reducing Offset	191	Flex Duct
124	F/O Boot Tee	192	Round/Oval End Cap
125	F/O Mitered Wye	193	Other Elbow
126	F/O Double Lateral Tee	194	Other Oval Duct
127	F/O Double Conical Lateral	195	Rd-Rd #1
128	F/O Double Boot Tee	196	Rd-Rd #2
129	F/O Elbow W / Tap	197	Sq-Sq #1
130	F/O Sq Throat Elbow W / Vanes	198	Sq-Sq #2
131	F/O Bullhead Tee W / Vanes	199	Sq-Rd #1
132	F/O Three Piece Wye	200	Sq-Rd #2
133	F/O Offset Double Con. Lateral	201	Rd-Sq #1
134	F/O Pipe W / Sq Access Hole	202	Rd-Sq #2
135	F/O Con. Lat. Saddle On Round	203	Spin-in Tap
136	F/O Con. Lat. Saddle on Flat	204	Conical Spin-in Tap
137	F/O Boot Saddle On Round	205	Single Oval Lateral w/Reducer
138	F/O Boot Saddle On Flat	206	Single Oval Conical w/Reducer
139	F/O Elbow W / Reducer	207	Single Rectangle Tap w/Reducer
140	Oval Ring	208	Single Rectangle Boot w/Reducer
141	Corner Tap	209	Oval Lateral Cross w/Reducer
142	Round / Flat Oval Disk	210	Oval Conical Cross w/Reducer
143	Reverse Elbow	211	Rectangle Tap Cross w/Reducer
145	Fire Damper Sleeve	212	Rectangle Boot Cross w/Reducer
146	Radius Side Takeoff	213	Round/Oval Canvass
147	Square 135 Degree Elbow	214	Round/Oval Fire Damper
148	Square Offset w/ Rounded Corners	215	Fitting Coupling
149	Nested Tee	216	Pipe Coupling
150	Nested Wye Branch	217	Oval Conical Boot w/Reducer

Fit #	Fitting Description	Fit #	Fitting Description
218	Oval Conical Boot Cross w/Reducer	252	Round Canvas
219	Round Later w/Reducer	253	Round Fire Damper
220	Round Conical w/Reducer	254	Round Fitting Coupling
221	Round w/Reducer and Rectangle Tap	255	Round Bullhead w/Vanes and Reducers
222	Round w/Reducer and Rectangle Boot Tap	256	Flat Oval Sheared Duct
223	Round w/ Reducer and Conical Boot Tap	257	Round Sheared Duct
224	Round Lateral Cross w/Reducer	258	Flat Throat Rectangle Elbow
225	Round Conical Cross w/Reducer	259	Round Pipe Coupling
226	Round Rectangular Tap Cross w/Reducer	260	Round Bellmouth
227	Round Rectangular Boot Cross w/Reducer	261	Round Insulation Stop
228	Round Conical Boot Cross w/Reducer	262	Flat Oval Bellmouth
229	Oval Lateral Tap	263	Flat Oval Insulation Stop
230	Oval Conical Tap	264	Flat Throat Flat Heel Elbow
231	Oval Rectangle Tap	265	45 Degree Lateral w/Elbow
232	Oval Rectangle Boot Tap	266	Single Oval Saddle
233	Oval Conical Boot Tap	267	Single Oval Conical Saddle
234	Oval Lateral Cross	268	Single Rectangle Saddle
235	Oval Conical Cross	269	Single Rectangle Boot Saddle
236	Oval Rectangular Tap Cross	270	Flat Oval To Rectangle Boot Tap
237	Oval Boot Tap Cross	271	Rect. Saddle Off Oval Pipe
238	Oval Conical Boot Cross	272	3 Takeoff Conical Fitting
239	Round Lateral	273	4 Takeoff Conical Fitting
240	Round Conical	274	Parker Elbow #3
241	Round Rectangle Tap	275	Flat Oval To Rectangle Offset Tap
242	Round Rectangle Boot	276	3 Takeoff Conical on Rectangle
243	Round Conical Boot	277	4 Takeoff Conical on Rectangle
244	Round Lateral Cross	278	Lateral Rectangle Takeoff
245	Round Conical Cross	279	Gored Elbow - Last Gore Slip In
246	Round Rectangle Tap Cross	280	1 Takeoff Conical Fitting
247	Round Boot Tap Cross	281	2 Takeoff Conical Fitting
248	Round Conical Boot Cross	282	1 Takeoff Conical on Rectangle
249	Round Straight Duct	283	2 Takeoff Conical on Rectangle
250	Round Pipe	284	Reducing Middle Gores Elbow
251	Round End Cap		

HOW TO ORDER

If you would like to order any products from our catalog, give us a call:

(604) 589-3133

Crosstown Metal Industries Ltd.

#100, 13133 – 115 Avenue
Surrey, BC V3R 2V8

Tel: (604) 589-3133

Fax: (604) 589-3134

info@crosstownmetal.com

www.crosstownmetal.com